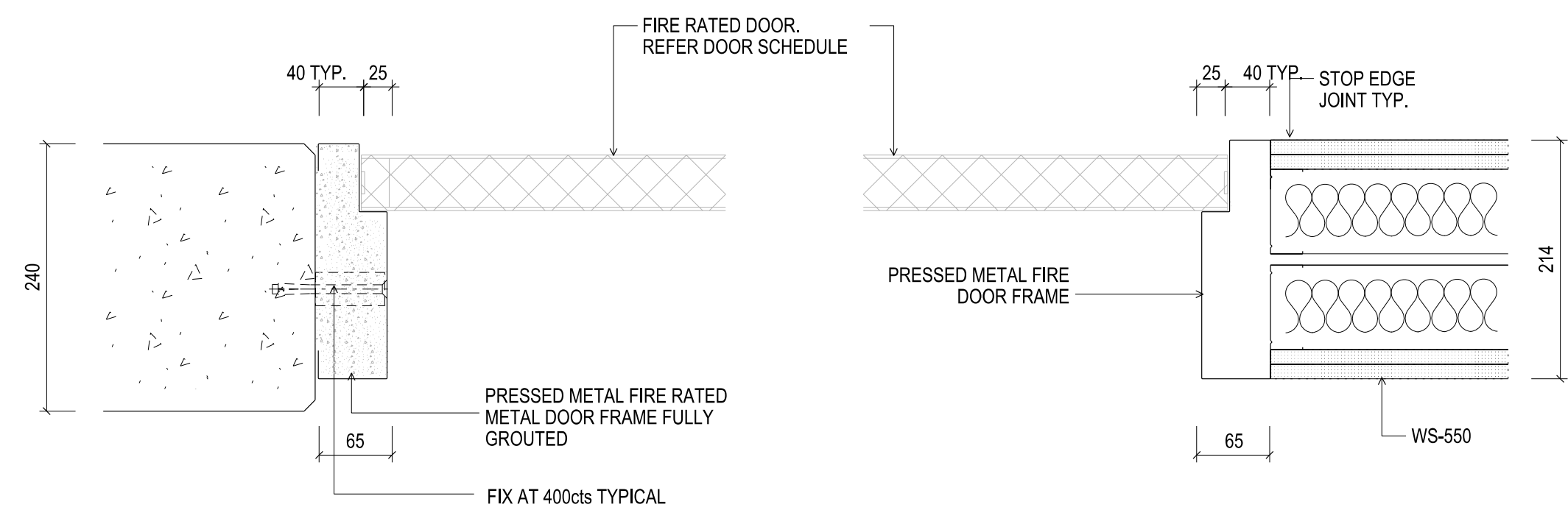


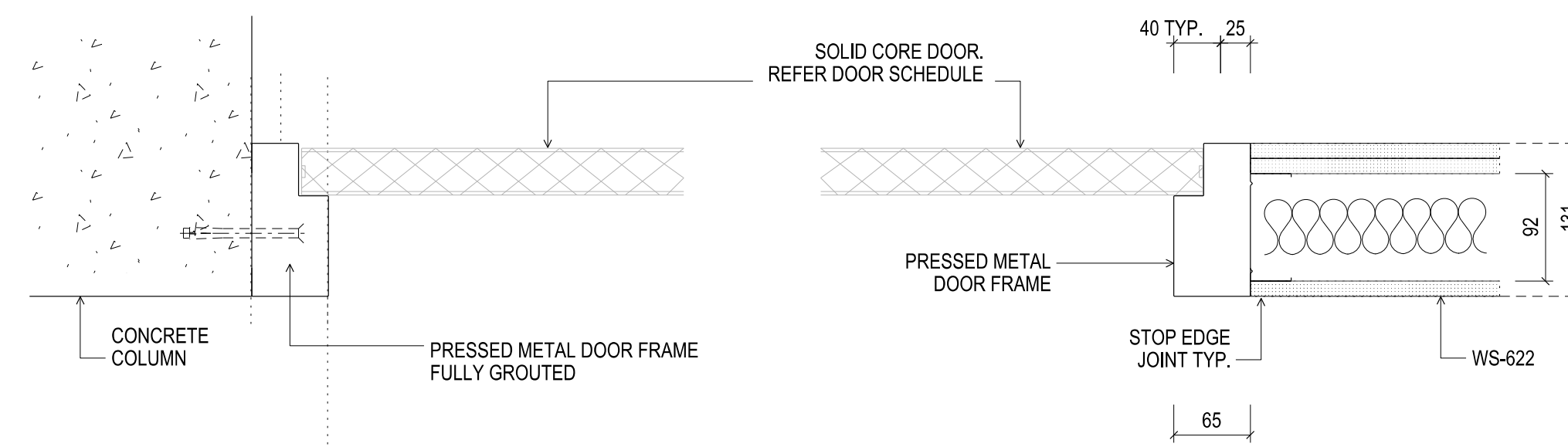
CONTRACTORS SHALL VERIFY JOB DIMENSIONS BEFORE ANY JOB COMMENCES. ALL SHOP DRAWINGS SHALL BE SUBMITTED TO THE SUPERINTENDENT AND MANUFACTURERS SHALL NOT COMMENCE FROM THE RESULTS OF DIMENSIONS SHOWN DRAWINGS BEING BY THE CONSULTANT. FIGURED DIMENSIONS SHALL TAKE PRECEDENCE OVER SCALED. THIS DRAWING SHALL BE READ IN CONJUNCTION WITH ALL RELEVANT CONTRACT SPECIFICATIONS AND DRAWINGS COPYRIGHT OF THIS DRAWING IS VESTED IN HANDLE.

General Notes



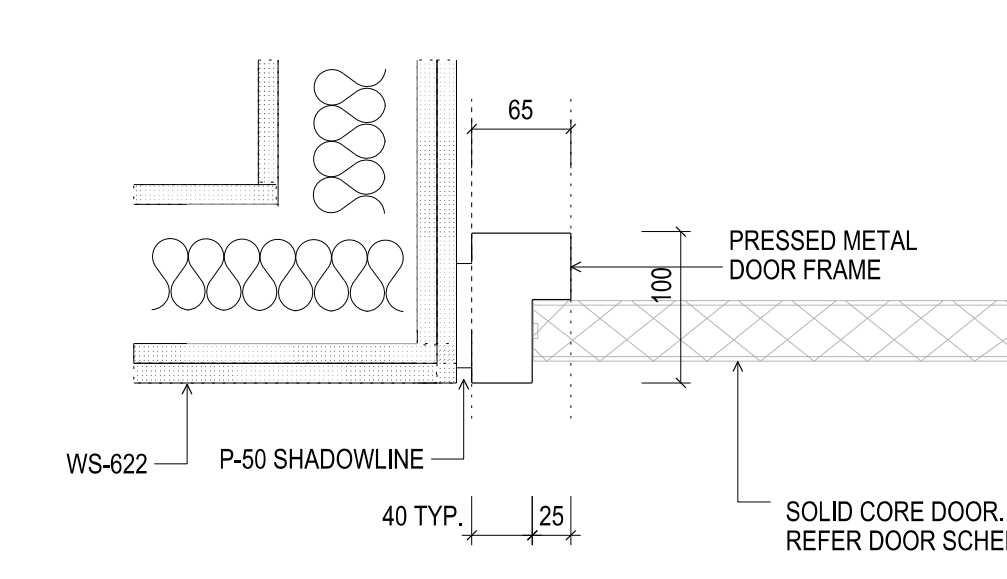
01 DOOR FRAME TYPE C DETAIL (FIRE RATED) DOUBLE STEEL STUD - PRE-CAST CONCRETE SCALE 1:5

TO SUIT WALL TYPE WS-550 AND PRECAST CONCRETE DOORS D1-74; D2-34; D3-29; D4-64



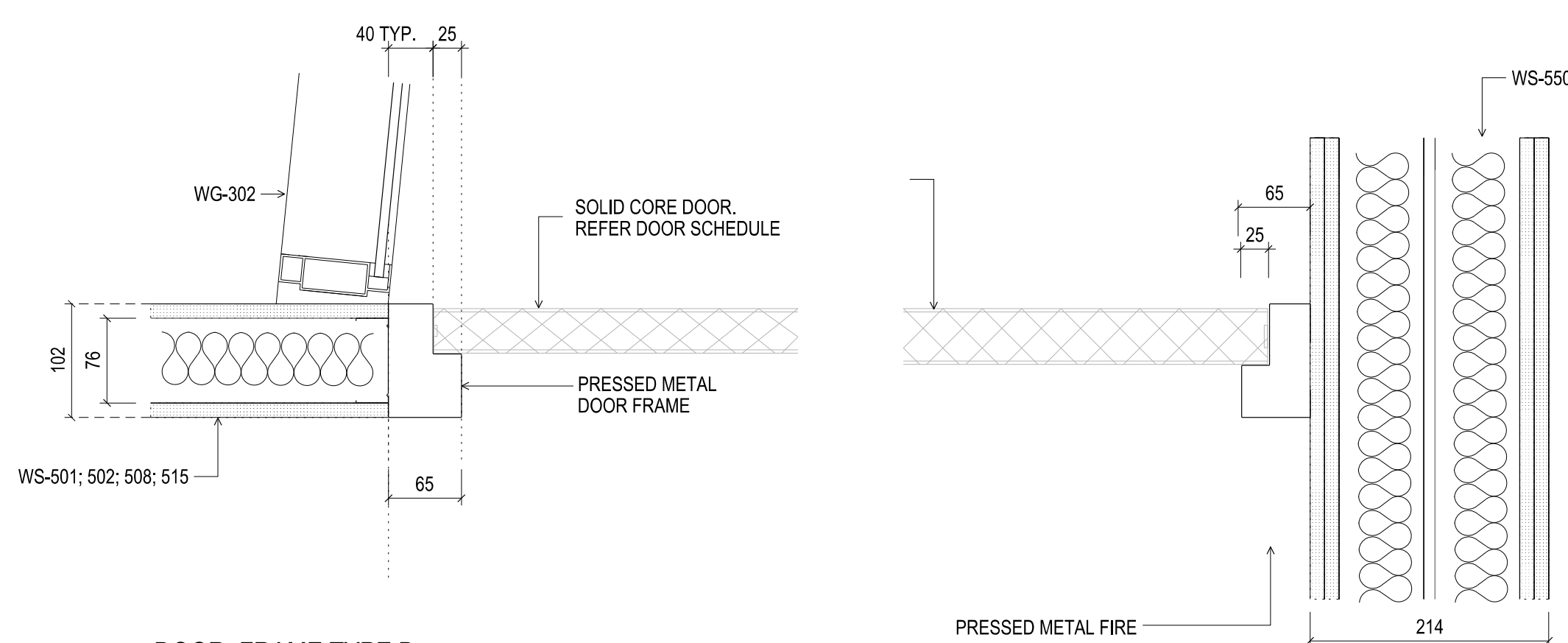
02 DOOR FRAME TYPE B 90 STEEL STUD WITH LINING TO BOTH FACES AND CONCRETE COLUMN SCALE 1:5

TO SUIT WALL TYPE WS-622 AND CONCRETE COLUMN DOORS D1-57; D2-35; D3-43; D4-40



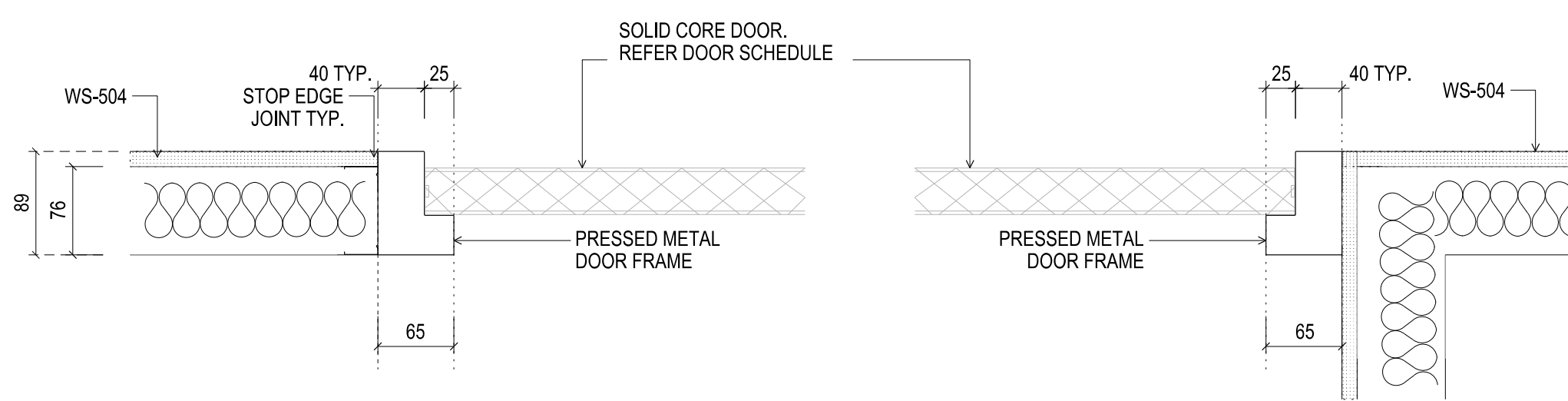
03 DOOR FRAME TYPE B CORNER STEEL STUD SCALE 1:5

TO SUIT WALL TYPE WS-622 DOORS D1-60; D2-38; D3-44; D4-41



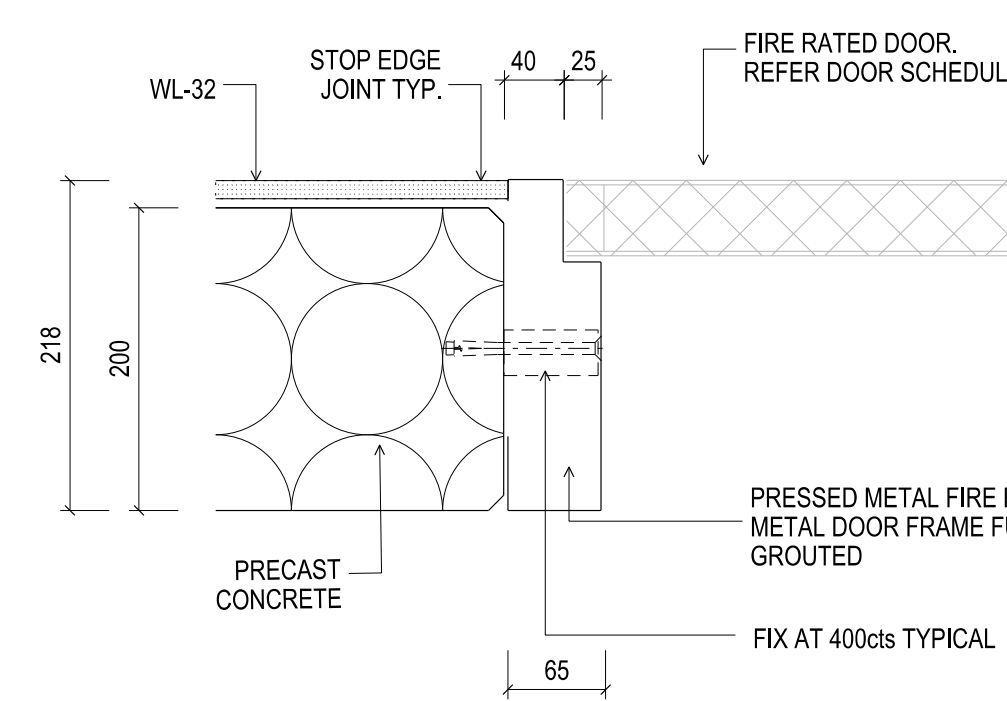
04 DOOR FRAME TYPE B 76 STEEL STUD WITH LINING TO BOTH FACES SCALE 1:5

TO SUIT WALL TYPE WS-501; WS-502; WS-506; WS-515 DOORS D3-73



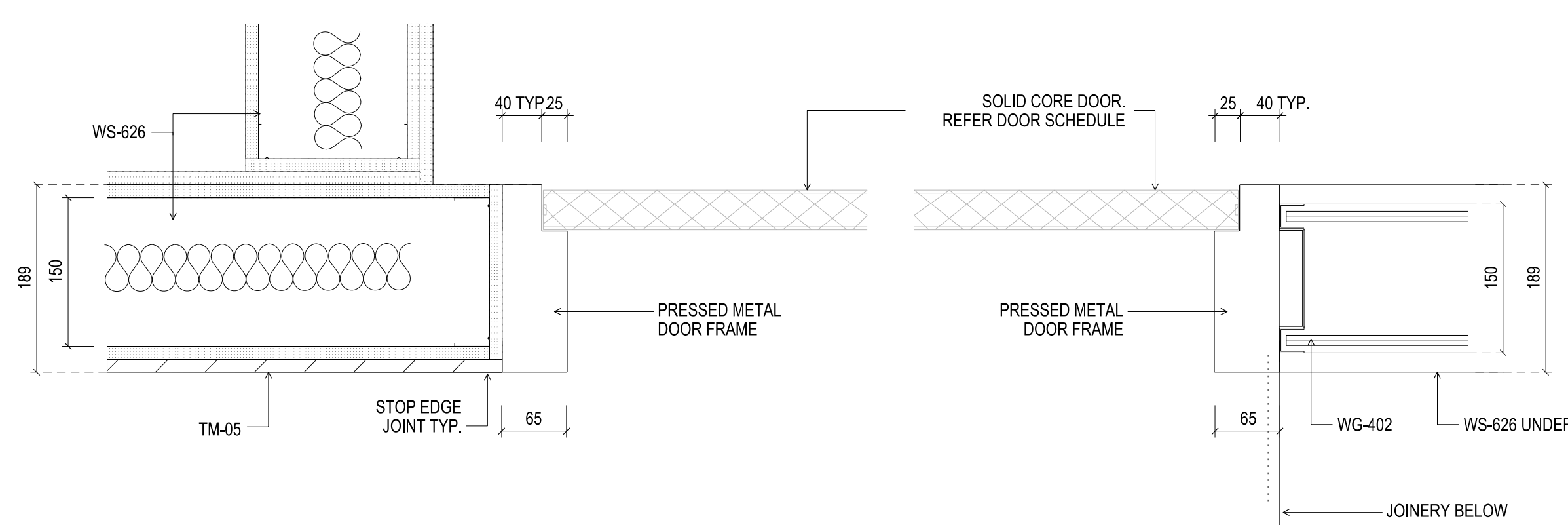
05 DOOR FRAME TYPE B 76 STEEL STUD WITH LINING TO ONE FACE SCALE 1:5

TO SUIT WALL TYPE WS-504 DOORS DG-36; D3-23; D4-16



06 DOOR FRAME TYPE C DETAIL (FIRE RATED) PRE-CAST CONCRETE + LINING SCALE 1:5

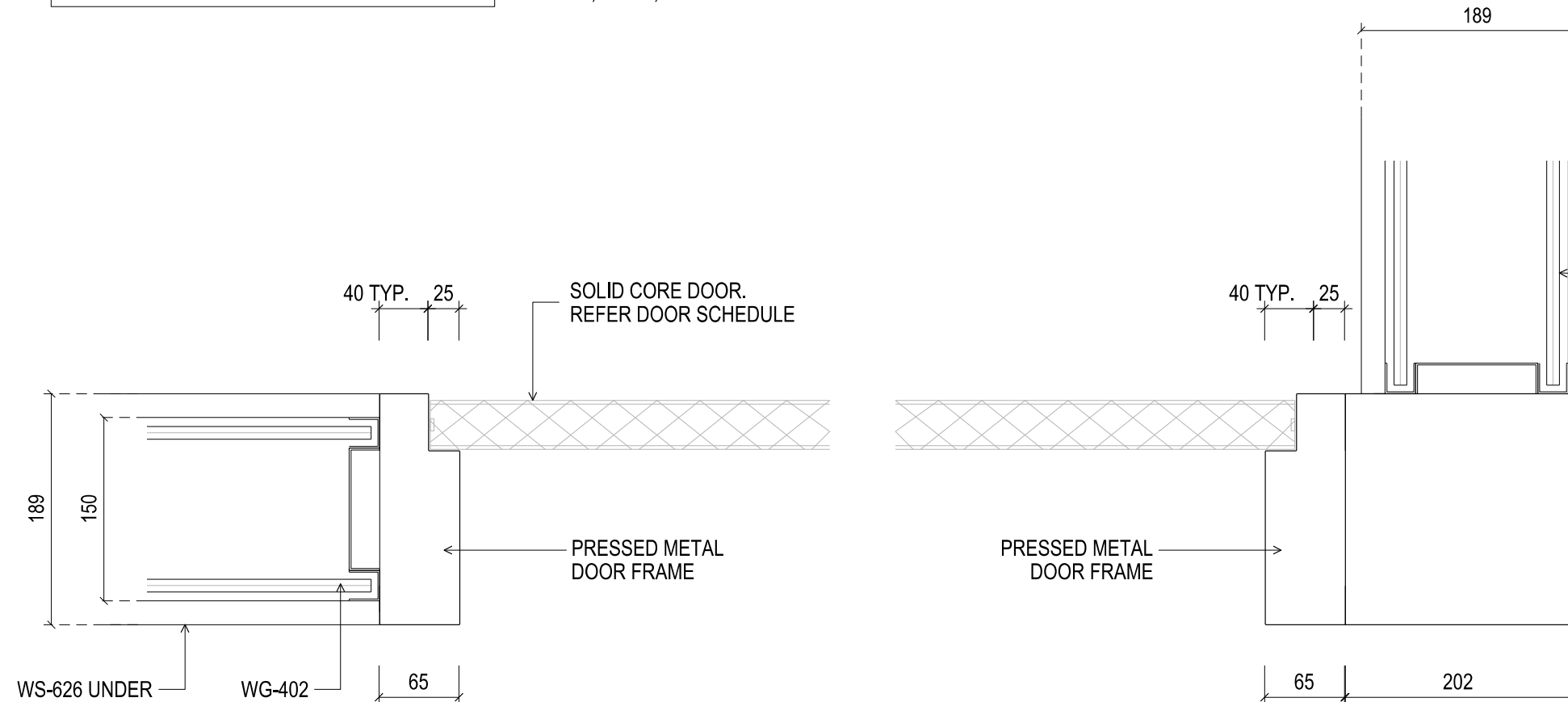
TO SUIT CONCRETE STAIR CORE DOORS DG-25



07 DOOR FRAME TYPE B 150 ALUMINIUM GLAZING WITH 150 STEEL STUD BELOW SCALE 1:5

TO SUIT WALL TYPE WS-626 + TM-05; WG-402 AND + WS-626 UNDER

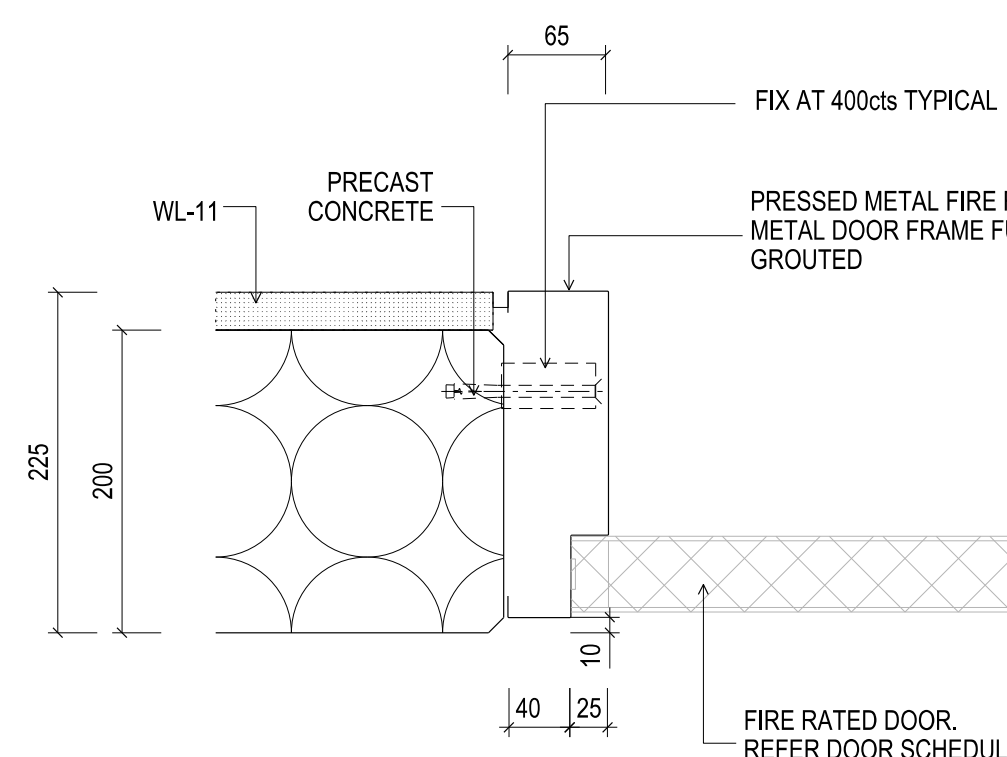
DOORS DG-45



08 DOOR FRAME TYPE B 150 ALUMINIUM GLAZING WITH 150 STEEL STUD BELOW SCALE 1:5

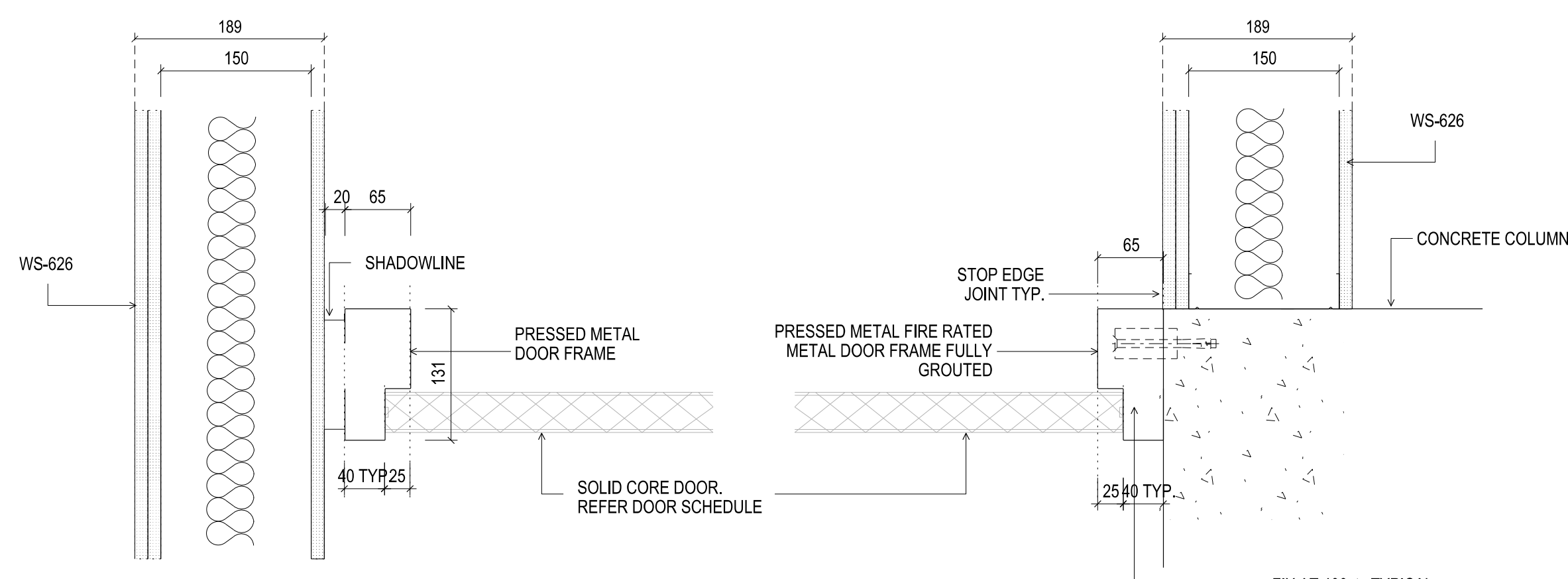
TO SUIT WALL TYPE WS-626 + TM-05; WG-402 AND + WS-626 UNDER

DOORS DG-46



09 DOOR FRAME TYPE C DETAIL (FIRE RATED) PRE-CAST CONCRETE + LINING SCALE 1:5

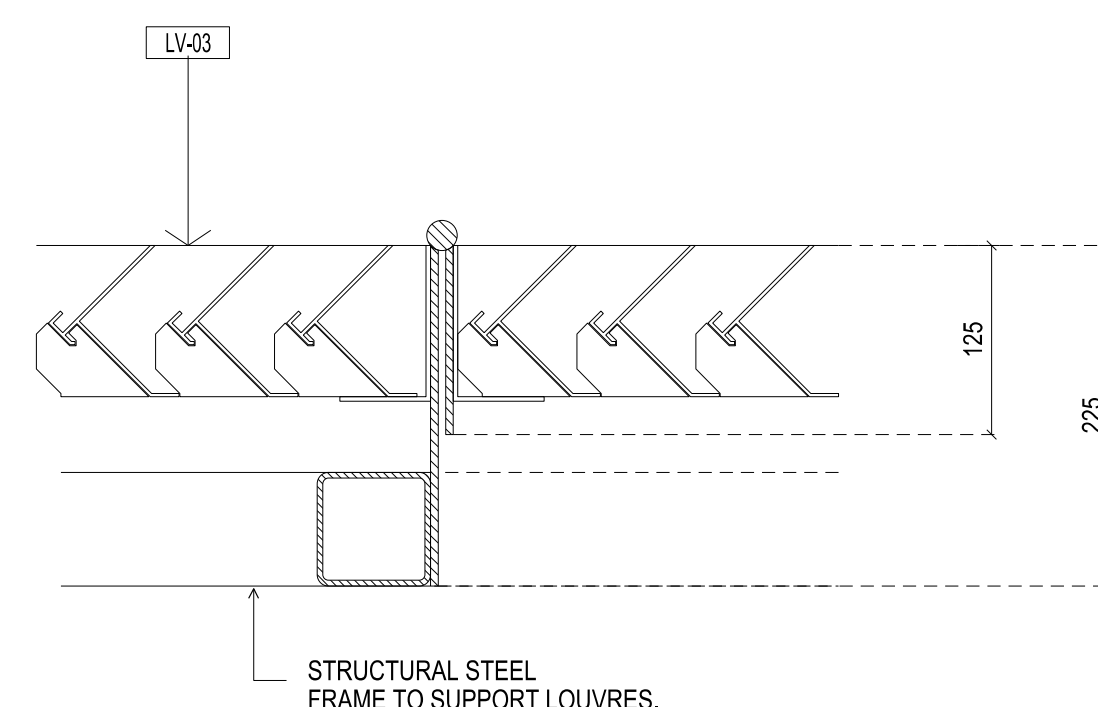
TO SUIT CONCRETE STAIR CORE DOORS DB-06



10 DOOR FRAME TYPE B 90 x 150 STEEL STUD WITH LINING TO BOTH FACES AND CONCRETE COLUMN SCALE 1:5

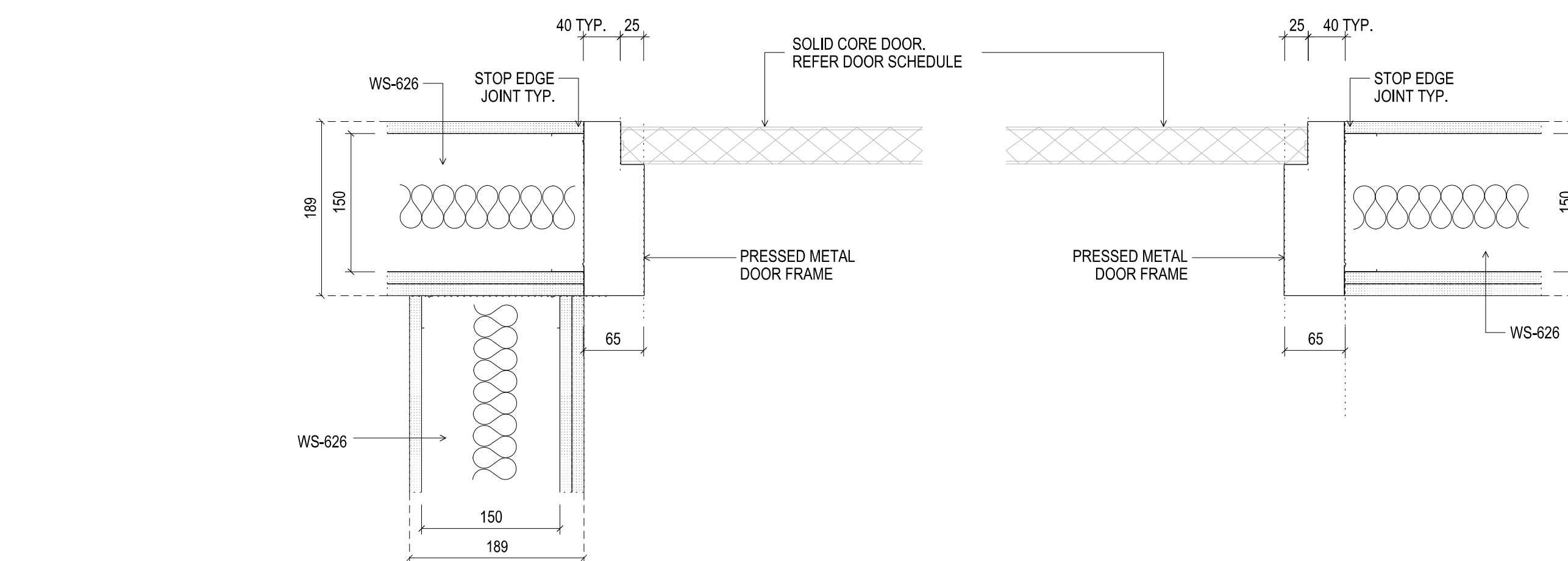
TO SUIT WALL TYPE WS-626 TO CONCRETE COLUMN

DOORS DG-53



11 DOOR FRAME TYPE B ALUMINIUM LOUVRE DOOR SCALE 1:5

DOORS DG-18



12 DOOR FRAME TYPE B 150 STEEL STUD WITH LINING TO BOTH FACES SCALE 1:5

TO SUIT WALL TYPE WS-626

DOORS DG-50; DG-51

Rev	Issue	Revision Description	And	Date
A	SG	ISSUED FOR CONSTRUCTION		18.10.13



NADAAA

NADAAA  
1520 Washington Street No.2 Boston Massachusetts 02118 USA  
Telephone +1 617 442 8232 Facsimile +1 688 442 1417 Email nad@nadaaa.com

John Wardle Architects

25 Rokeby Street, Collingwood, Victoria 3066 Australia  
Tel: +61 3 8662 0400 www.johnwardlearchitects.com  
© 2012 John Wardle Architects ABN 83 006 814 268

Client University of Melbourne Parkville Campus

Project Faculty of Architecture Building and Planning

Title DOOR JAMB DETAILS SHEET 03

Project No.	0913	Scale	
Drawing No.	AR 7508	Revision	A
Date	Dwn	Co-Ord	Chk

FILENAME - \$FILES

FOR CONSTRUCTION